



US00D636265S

(12) **United States Design Patent**
Gartner

(10) **Patent No.:** **US D636,265 S**

(45) **Date of Patent:** **** Apr. 19, 2011**

(54) **SAFETY CAP**

(76) Inventor: **Joseph John Gartner**, Brightwaters, NY (US)

(**) Term: **14 Years**

(21) Appl. No.: **29/355,656**

(22) Filed: **Feb. 11, 2010**

(51) **LOC (9) Cl.** **09-07**

(52) **U.S. Cl.** **D9/453; D9/446**

(58) **Field of Classification Search** D9/651,
D9/453, 452, 450, 449, 446, 443, 435; 222/83;
220/277; 215/252, 216, 206, 222, 219
See application file for complete search history.

(56) **References Cited**

U.S. PATENT DOCUMENTS

73,048 A	1/1868	Richards	
896,938 A	8/1908	Ransom	
1,065,896 A	6/1913	Carter	
D174,205 S *	3/1955	Ward	D9/446
3,133,657 A	5/1964	Parrish	
3,426,932 A	2/1969	Rousse	
3,604,581 A	9/1971	Van Iperen	
3,893,581 A	7/1975	Kapphahn	
D272,128 S *	1/1984	Parmentier	D9/425
4,496,065 A	1/1985	Nagy	
4,801,929 A	1/1989	Instance	
5,046,629 A *	9/1991	Weile	215/221
D353,328 S *	12/1994	Nuffer	D9/446
D359,451 S *	6/1995	Dees	D9/443

D364,810 S *	12/1995	Meisner	D9/446
D419,071 S *	1/2000	Peters et al.	D9/453
6,382,416 B1	5/2002	Gainey	
D475,923 S *	6/2003	Renz	D9/446
6,793,081 B1	9/2004	Derman	
D533,781 S *	12/2006	Freisem et al.	D9/453
D613,599 S *	4/2010	Khubani	D9/446
2007/0023444 A1	2/2007	Holloway et al.	
2009/0206050 A1	8/2009	Perry et al.	

* cited by examiner

Primary Examiner — Susan Bennett Hattan

(74) *Attorney, Agent, or Firm* — PatentLawNY.com/Law Firm of Michael J. Feigin, Esq.

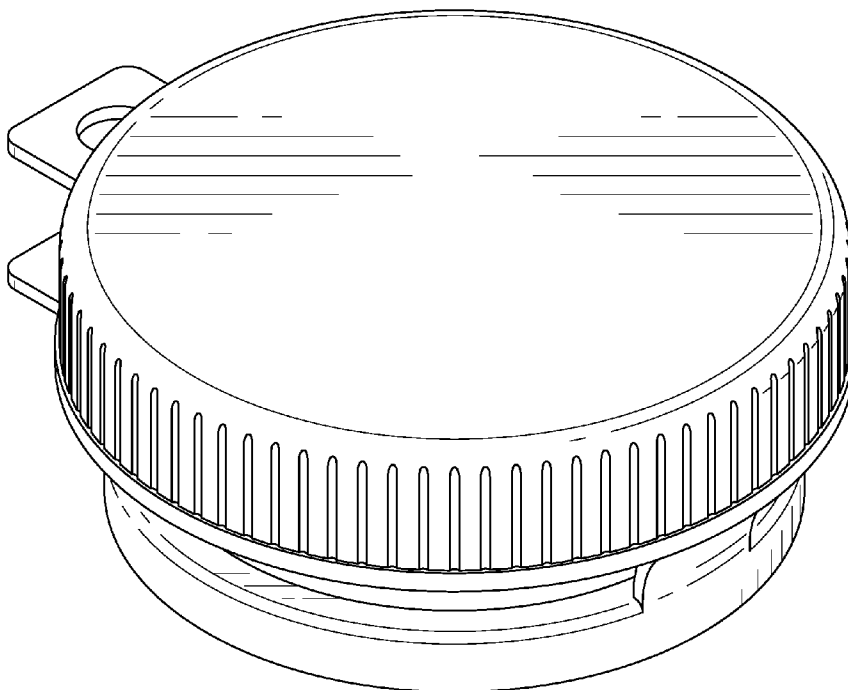
(57) **CLAIM**

The ornamental design for a safety cap, as shown and described.

DESCRIPTION

FIG. 1 shows a top perspective view of the safety cap.
 FIG. 2 shows a bottom perspective view of the safety cap, the dotted line indicating the boundary between the top and side of the safety cap.
 FIG. 3 shows a left side elevation view of the safety cap, the right side being a mirror image of this view.
 FIG. 4 shows a top plan view of the safety cap.
 FIG. 5 shows a bottom plan view of the safety cap.
 FIG. 6 shows a front elevation view of the safety cap; and,
 FIG. 7 shows a back elevation view of the safety cap.
 The broken lines in the drawings depict environmental subject matter only and form no part of the claimed design.

1 Claim, 7 Drawing Sheets



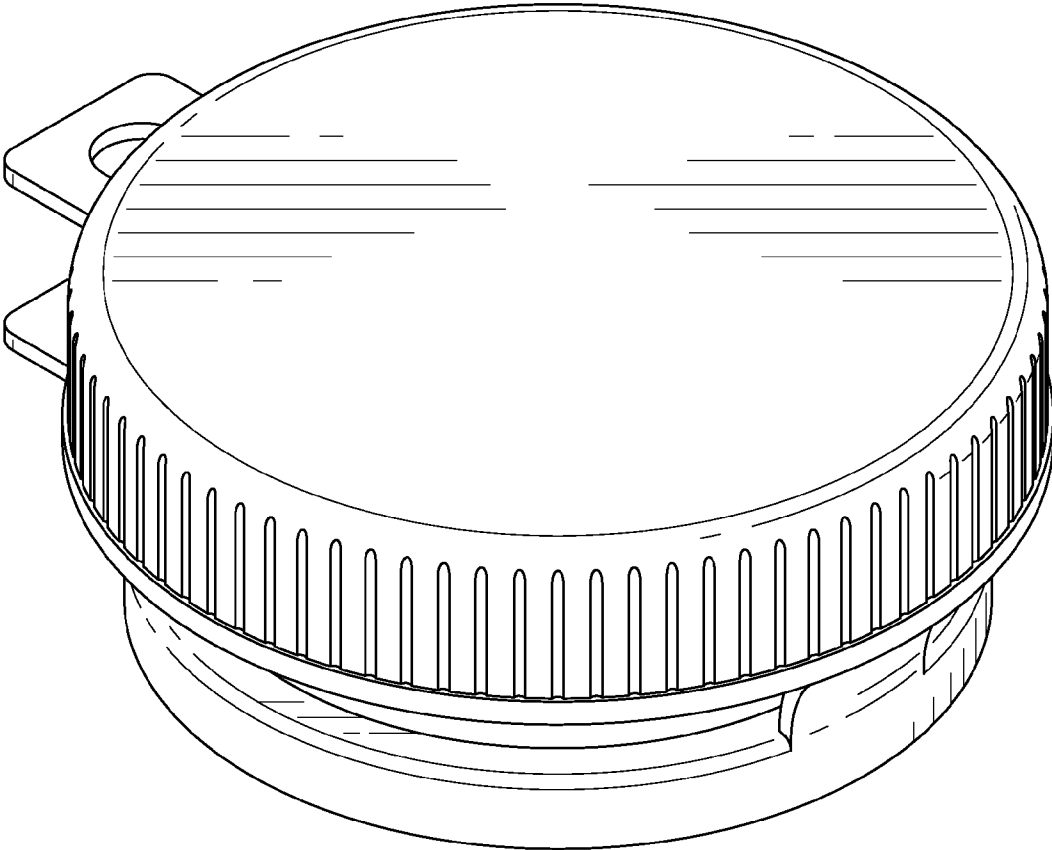


FIG. 1

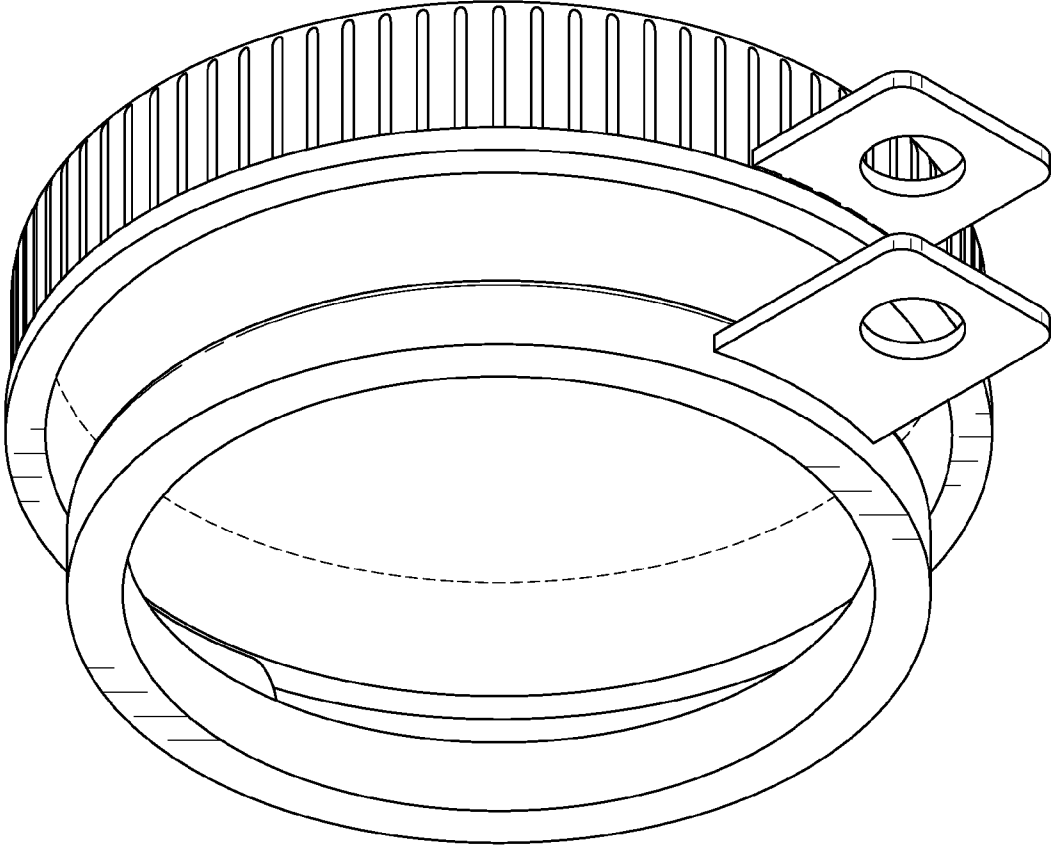


FIG. 2

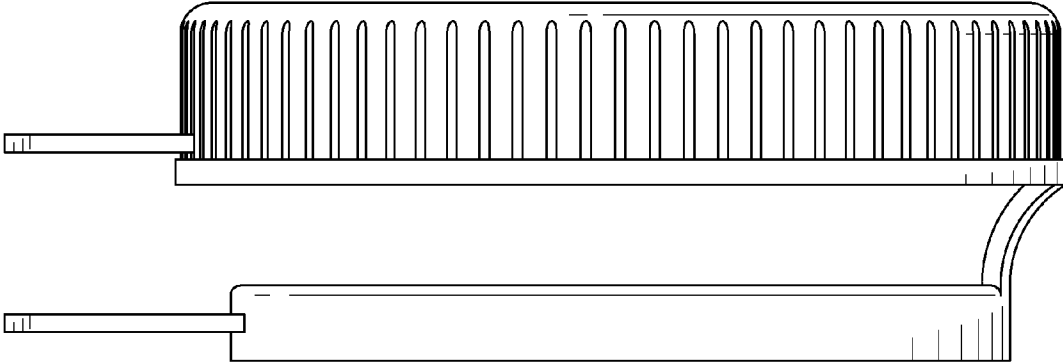


FIG. 3

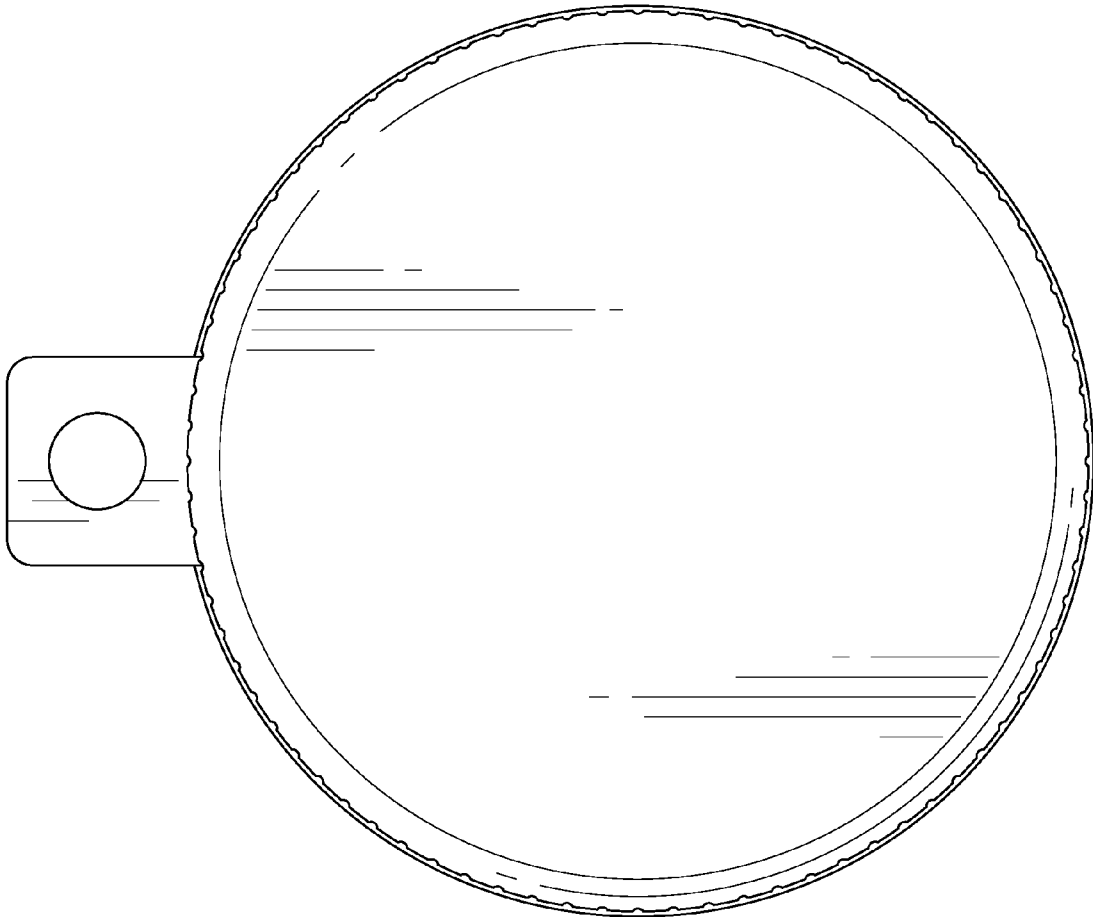


FIG. 4

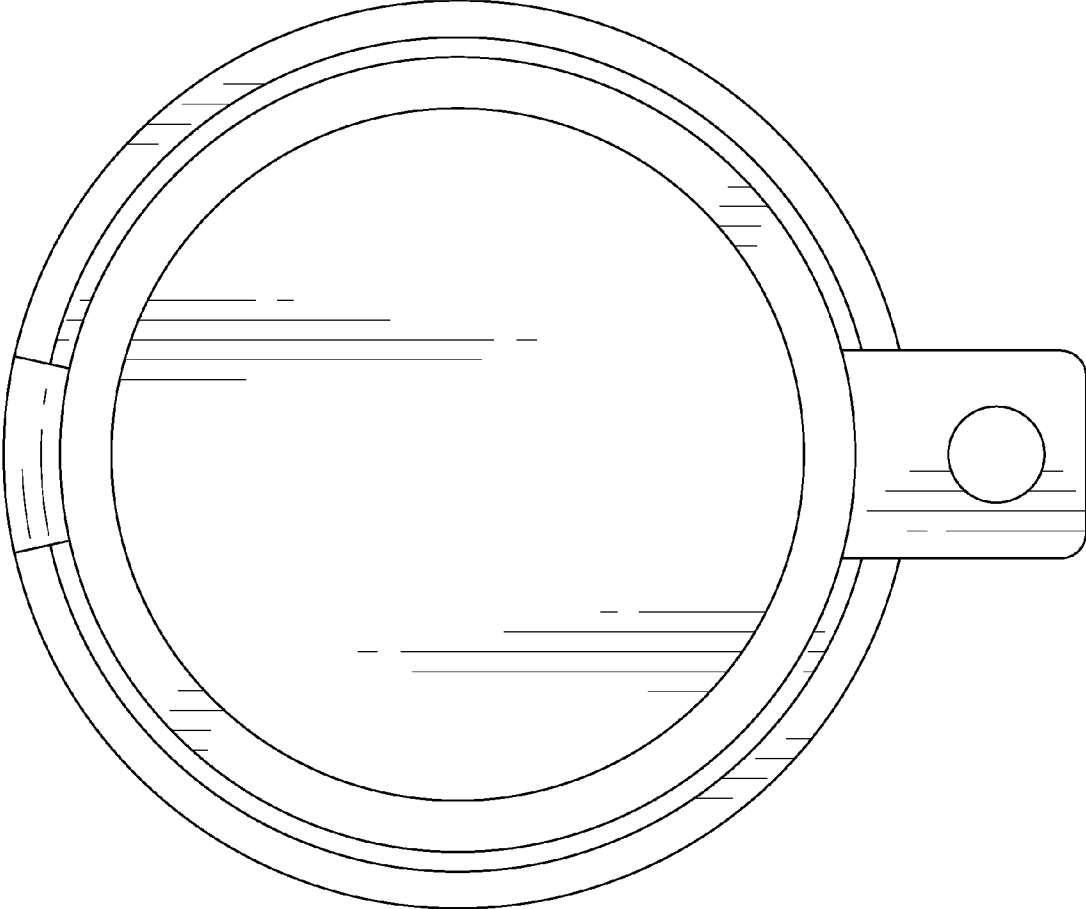


FIG. 5

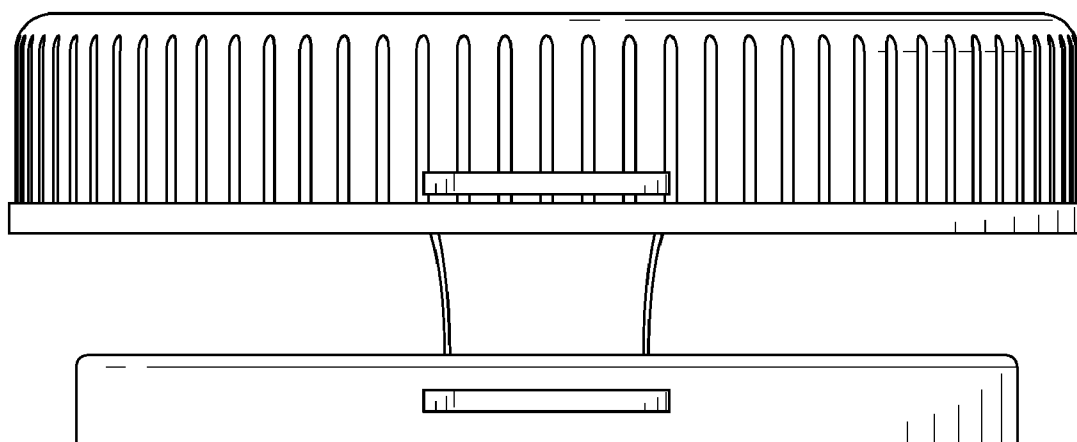


FIG. 6

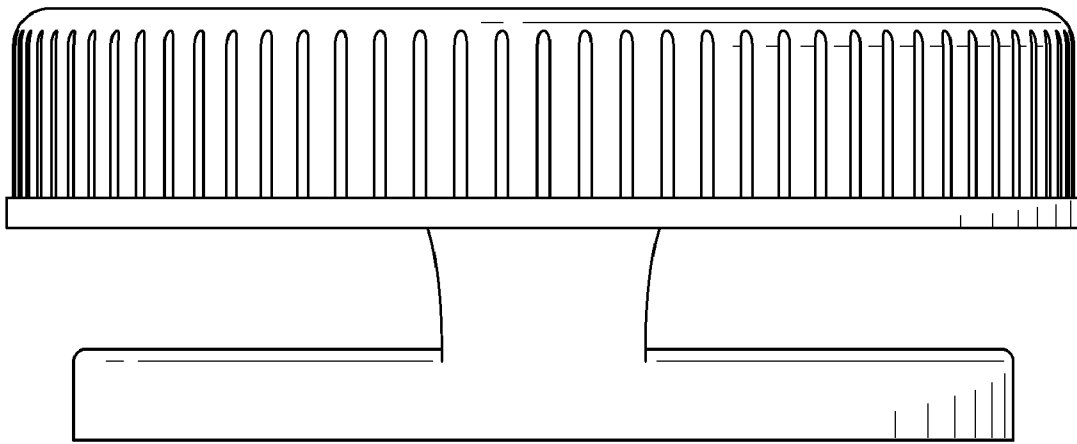


FIG. 7